



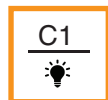
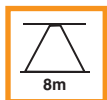
MTUBO

SMART WITH SIMPLICITY



PRODUCT DESCRIPTION

- Movement Detector With 360° Field Of Detection For Concealed Mounting
- Slim With High Quality Finish For Smart Work Place
- Range Of Up To 8 M In The Diameter At A Recommended Installation Height Of 2.5 M
- A High-performance Relay (10A)
- Zero-cross Switching For Gentle Switching
- Factory Setting For Immediate Operational Readiness
- OCT-iSense Enabled HF Technology For Reliability With high Speed Sensing Algorithm



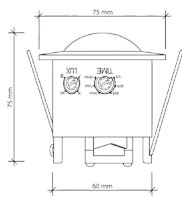
OCT-MTUBO



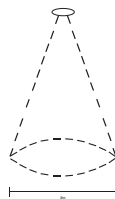
TECHNICAL DATA

General			
Warranty	24 months	Recommended Instalation Heights	2.3m
		Max. Mounting Height	4.2m
Mounting		Light Mesurment	Mixed light
Installation Type	Concealed		
Installation Position	Ceiling	Number Of Channels	No
		Push Button Input	
Housing		Slave Input	No
Dimension	Height 75.mm, ϕ 75mm		
Weight	120gm	Fully Automatic	Yes
Protective Class	IP20	Semi Automatic	No
Permissible ambient Temperature	-30°C...+50°	Switching Delay From "Dark To Light"	2.Sec
Relative Humidity	5-93% non-condensing	Switching Delay From "Light To Dark"	2.Sec
Color	White, similar to RAL 9010		
Connection	2.5mm/1.5mm	Control	OCT-iSense Enabled
Electrical Versoin		Channel 1	Lighting
Protection Class	II	Interface	Switching
nominal Voltage	230V/50Hz	Contact	Non-floating
Power Consumption	0.6W	Switching Capacity	230V, 300W
		Swich-off Delay Time	Adjustable
Sensor		Master/slave Function	No
Detection Angle	360°	Constant Lighting Control	No
Detection Range Diagonally	360°	Manual Override	No
Detection Range Head-on	8m	Programmable	Yes

SCALE DRAWING



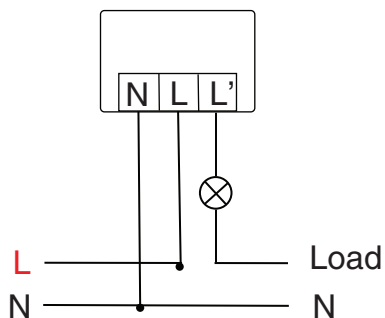
FLELD OF DETECTION



DETECTION RANGE

Detection Angle 360°
Detection Range 8m

CIRCUIT DIAGRAM



OCT-MTUBO

